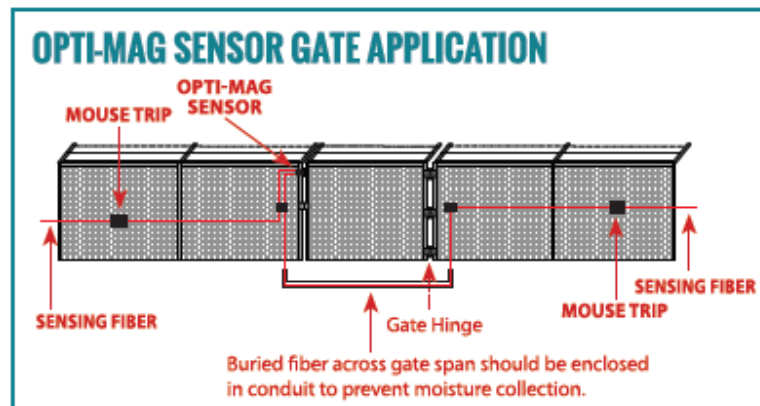


INSTALLING THE OPTI-MAG PROXIMITY SENSOR

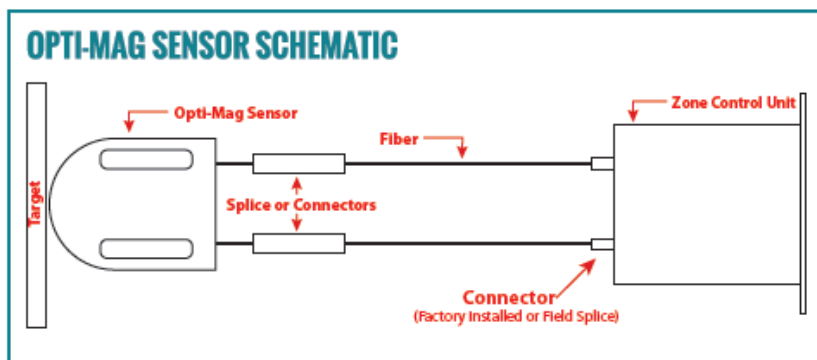
The FIBER FENCE Opti-Mag Sensor is mounted in a stationary position to non-magnetic surface such as a post or a wall next to a magnetic target such as a gate, cover or lever. When the target moves away from the sensor (gate opens, cover lifts) the Sensor will attenuate the Sensing Fiber and set off an alarm at the Zone Control Unit.

Step 1: The installation of the Opti-Mag Sensor requires cutting the fiber cable where the sensor is to be mounted.



Step 2: The cut fiber cable must be spliced onto the two fiber cables protruding from the back side of the fiber sensor. Install splice protection sleeves to protect against weather.

IMPORTANT NOTE: Fiber Fence Sensing fiber is BEND SENSITIVE fiber. The bend radius is 1.25". Bending the fiber in any radius smaller that 1.25" will break the glass fiber.



Step 5: Mount the Sensor to the stationary post. The target must be no more than 1/32" (0.040") from the sensor. If the target material is not magnetic, a metal plate (included with the Sensor) must be installed.