

FIS UNIVERSAL SPLICE CADDY



Part #: F1-SBS



Completed Photo of FIS Universal Splice Caddy and bucket

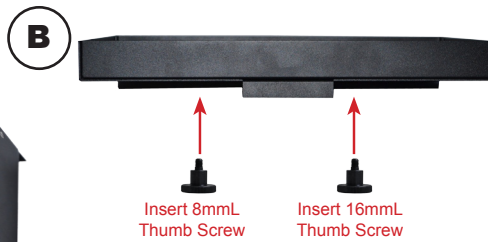
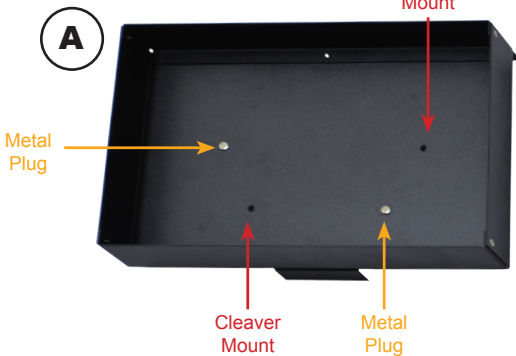
KIT CONTENTS

- (1) FIS Universal Splice Caddy (F1-SBS)
 - (2) Plugs included to cover open screw holes (sizes)
 - (2) 16mmL Thumb Screw
 - (1) 8mmL Thumb Screw
 - (1) Accessory tray (For fiber optic cleaning solution and tools)
- Optional : Bucket (F1-1TBSC)*

The FIS Universal Splice Caddy is designed to securely fasten any fusion splicer and cleaver for aerial splice jobs. The Universal Splice Caddy easily attaches to FIS' Tool Bucket (F1-1TBSC) which provides technicians with a stable workstation for easy cable transition to both the cleaver and splicer.



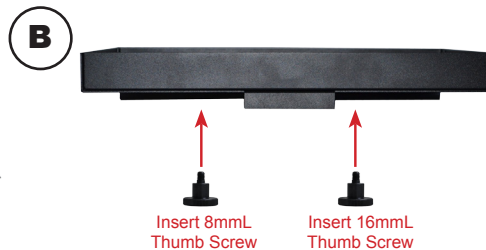
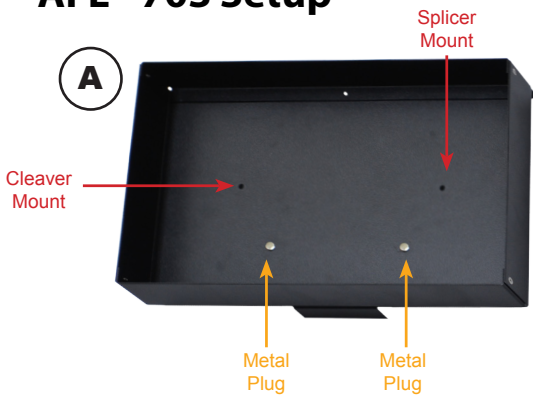
FIS - CA3 Setup



1. Set the "Splice Caddy" up as shown in picture A.
2. Insert thumb screws provided with the kit as shown in picture B.
3. The configuration should look like picture C.



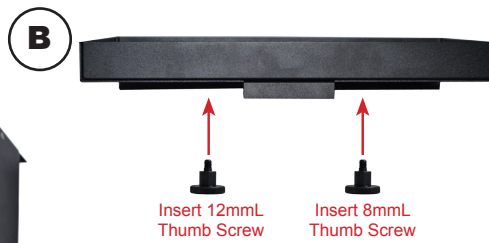
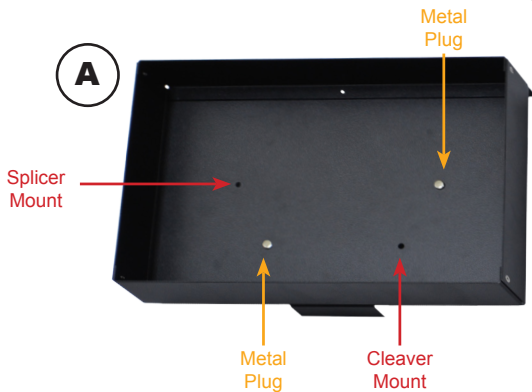
AFL - 70S Setup



1. Set the "Splice Caddy" up as shown in picture A.
2. Insert thumb screws provided with the kit as shown in picture B.
3. The configuration should look like picture C.

FITEL®

Fittel - s153A Setup

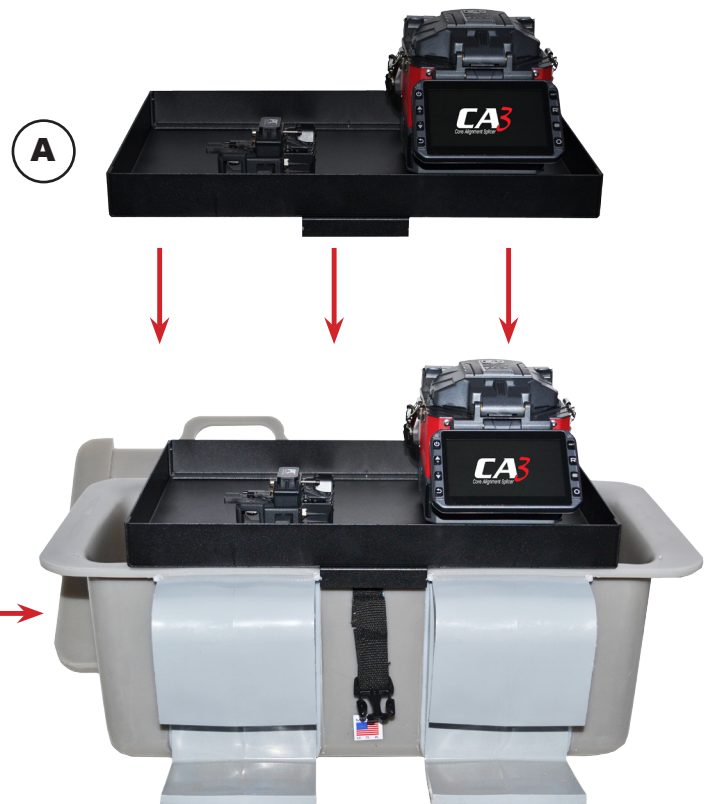


1. Set the "Splice Caddy" up as shown in picture A.
2. Insert thumb screws provided with the kit as shown in picture B.
3. The configuration should look like picture C.

(Splicer "Tripod Adapter" (TPA01) **not** included. Needed for **ALL** V2 types.)

Attaching the "FIS Universal Splice Caddy" to the bucket

1. Once you have your splicer and cleaver attached to the "Splice Caddy" picture A. Place the "Splice Caddy" over the bucket.
2. With firm pressure push down on the "Splice Caddy" and it will snap on to the bucket see in picture B.



Bucket shown in picture is not included (pn: F1-1TBSC)