



Part #: OST-80C

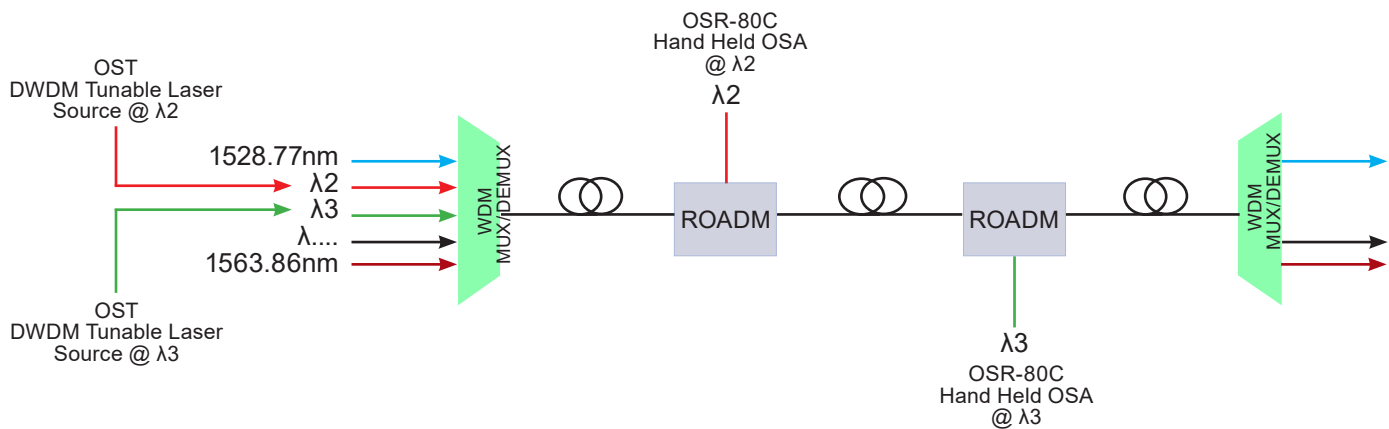
FEATURES

- Selectable Step Size Down to 50 GHz
- Selectable Start & Stop Channels
- Settable in Wavelength, Frequency or ITU Channel
- Settable Dwell Time
- Rugged Case with Impact Resistant Boot
- Battery Operated or International Line Voltage
- Simple Operation with On-Board Help Mode
- Lowest Cost Hand Held Tunable Laser Source
- IEC61300 Auto Pass/Fail/Centering Fiber Inspector
- Visible Fault Locator
- Interchangeable Fiber Optic Connectors
- Up to 98 Channels on the ITU Grid
- 4" Color Touch Display
- 10 hr Battery Life

APPLICATIONS

- Support ROADM Network Test
- WDM, GFF, AWG, PLC, & ATM System Trouble Shooting
- Fiber Sensors Test
- PMD and PDL Measurement
- Fiber Optic Telcom and R&D Test Applications
- Impact Field Testing System
- Fiber Characterization in DWDM Networks
- Verify ROADM Channel Routing

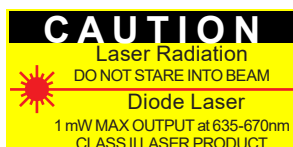
The Fiber Instrument Sales OST-80 Hand Held Tunable Laser Source (TLS) is available with up to 98 Channels in the "C" Band. This Tunable Laser Source is manufactured in our rugged splash proof housing with a highly protective boot. Our TLS displays in wavelength, frequency or ITU channel. It is a great match with our OSR-80C (Hand Held Optical Spectrum Analyzer) for installation, commissioning and trouble shooting of DWDM networks. The OST-80 offers a fast start up with minimal warm up required and provides very stable wavelength and power outputs. The OST-80 also incorporates an IEC61300 Auto Pass/Fail/Centering Fiber Optic Video Scope (probe sold separately) and a Visible Fault Locator. As with all of our advanced tests equipment series, the OST-80 is affordable, easy to use and rugged.



SPECIFICATIONS

Range	Frequency 191.4- 196.25 THz Wavelengths 1527.61-1566.31nm ITU Channels 14 - 62.5
Frequency Accuracy	1.5 GHz
Line Width	1 MHz
Side Mode Suppression Ration	40 dB
Maximum Output Power	13 dBm (Typ.)
Output Power Range	6 dB
Power Setting Resolution	0.01 dB
Power Variation over Wavelength Range	± 0.5 dB
Minimum Channel Spacing	50 GHz (0.4nm)
Fiber Type	9/125 µm
Relative Intensity Noise	-140 dB/Hz
Graphical Display	4 in Color Touch Screen
Dimensions	8.75" L x 4.25" W x 2.125" H (222mm L x 108mm W x 554m H)
Weight	1.75 lbs
Battery	Li-ion 10 hr typ.
Power	100-240 universal US, GB, EU, AU Mains
Environmental	Operation 0°C to + 40°C
Accessories Included	Universal power supply with mains for US, UK, CE and AU. Interchangeable FC and SC adaptors, Windows™ Compatible Software, USB Cable, Manual and Rubber Boot

Visible Fault Locator



Tunable Laser Source



ORDERING INFORMATION

OST-80-C	OST-80 C-Band Tunable Laser Source
VIS-300	Video Probe for use with Fiber Optic Video Scope