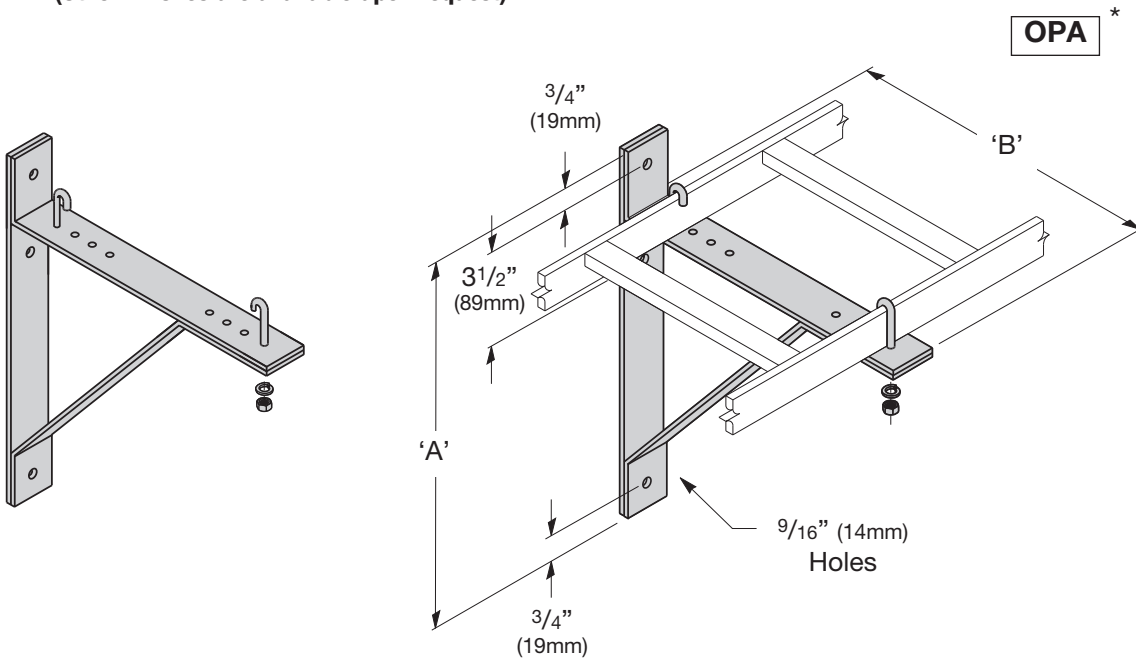


Triangular Runway Wall Support Kit

- Use to support cable runway from wall.
- Sized for both 1 1/2" (38mm) & 2" (51mm) stringers.
- Welded steel construction.
- Designed for 6" (152mm), 9" (228mm), and 12" (305mm) cable runways.
- Order anchors separately.
- See SB214 for larger sizes.
- Support width: 2" (51mm)
- Includes: (1) wall support, (2) "J" bolts, and 5/16"-18 hardware.
- Material: ASTM A36 structural steel
- Finish___: Yellow Zinc (YZ),
Telco Gray Powder Coat (TG) or
Flat Black Powder Coat (FB)
(Other finishes are available upon request)



Part Number Steel	Runway Width 'W'		'A'		'B'		Weight	
	In.	(mm)	In.	(mm)	In.	(mm)	Lbs.	(kg)
✓ SB21306K___	6"	(152)	10"	(254)	7 7/8"	(254)	3.8	(1.7)
✓ SB21312K___	6" - 12"	(152 - 305)	13 1/8"	(254)	13 7/8"	(292)	5.9	(2.7)
✓ SB21318K___	12" - 18"	(305 - 457)	19 1/8"	(254)	19 7/8"	(368)	8.8	(4.0)

✓ FB, TG & YZ are popular items

*See page 8 for OPA details.