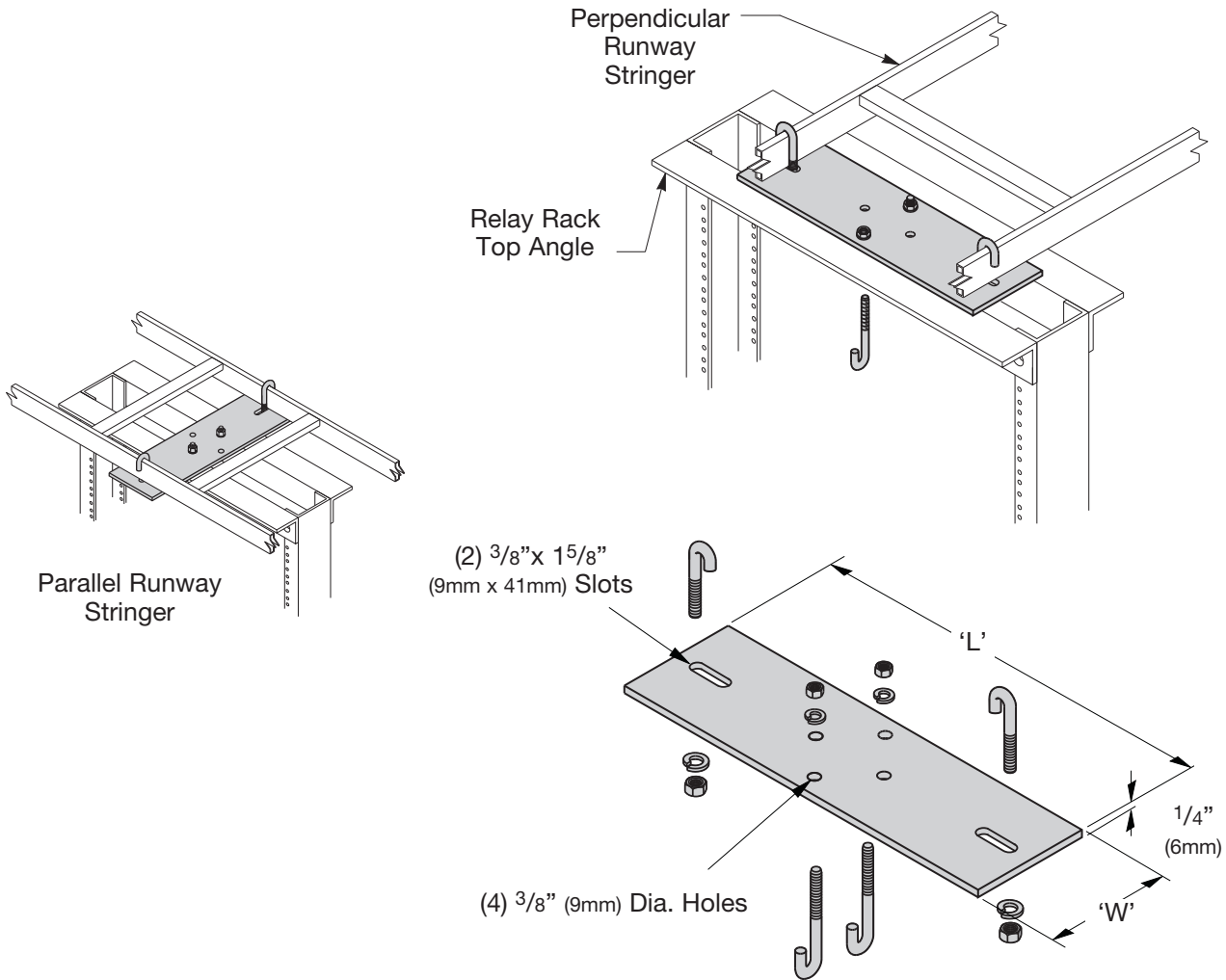


3" Upright Network Equipment Rack Top Plate Runway Support Kit

- Use to secure cable runway to top angles of network equipment rack.
- Accommodates runway in parallel or perpendicular arrangement.
- Includes: (1) mounting plate and (4) "J" bolts with 5/16"-18 hardware.
- Material: ASTM A36 structural steel
- Finish ___: Yellow Zinc (YZ),
Telco Gray Powder Coat (TG), or
Flat Black Powder Coat (FB)
(Other finishes are available upon request)



CABLE RUNWAYS
& ACCESSORIES

Part Number	Runway Width		Width 'W'		Length 'L'		Weight	
	In.	(mm)	In.	(mm)	In.	(mm)	Lbs.	(kg)
✓ SB213309	6" - 9"	(152 - 228)	4"	(101)	9 ⁷ / ₈ "	(251)	3.4	(1.5)
✓ SB213312	8" - 12"	(203 - 305)	4"	(101)	12 ⁷ / ₈ "	(327)	4.3	(2.0)
✓ SB213318	14" - 18"	(355 - 457)	4"	(101)	18 ⁷ / ₈ "	(479)	6.1	(2.8)
SB213324	24"	(609)	7"	(178)	24 ⁷ / ₈ "	(632)	12.5	(5.7)

✓ FB, TG & YZ are popular items