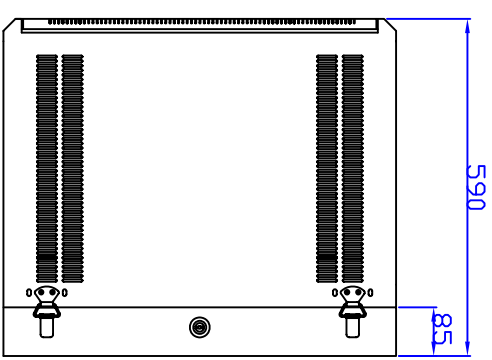


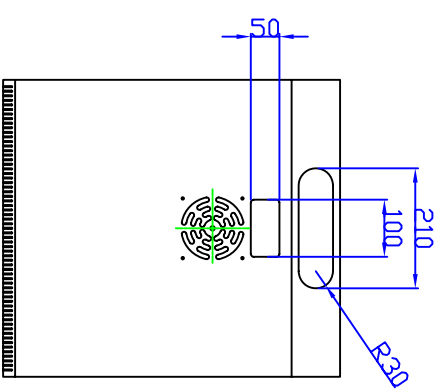
Front



Side



Back



Top

Quest Manufacturing Corp.

ITEM NO.

WM3019-14-02

| | | | | | |
|-------------|------|----------------|------------|-------|-----|
| Drawn By | Date | Material | C.R.S. | | |
| Checked By | Date | Unit | mm | | |
| Approved By | Date | Surface Finish | Power Coat | Scale | 1:1 |