

FILE NO.:

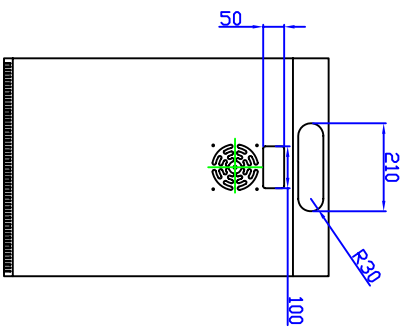
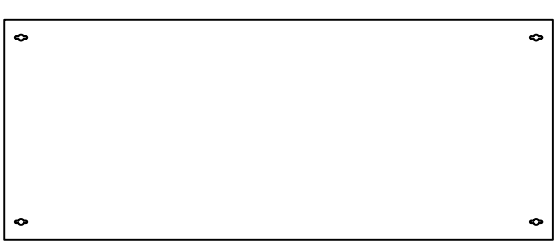
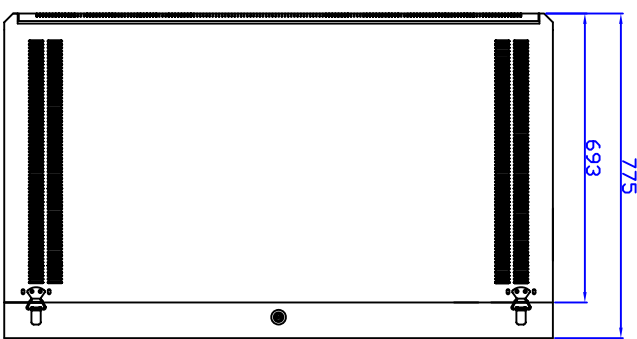
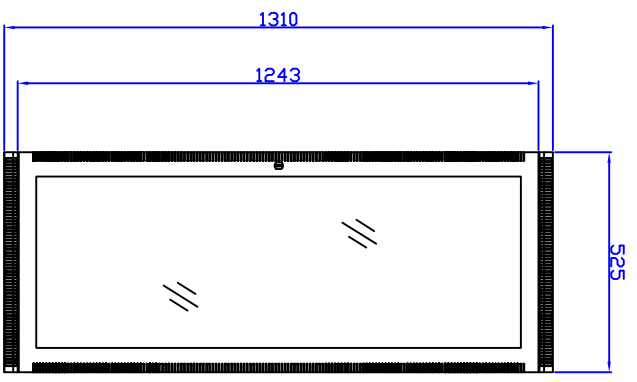
1 2 3

4 5

6 7

8

VER	DATE	UPDATE	APP'D
B	2012/06/28	release	JSL



NOTE:
1. UNIT: mm

NAME	DATE	DIMENSION TOLERANCE	MATERIAL	QUEST	APP'D
DRAWN VNC	2012/06/28		C.R.S.	WM3019-28-02	
CHECKED TYC	2012/06/28		SHEET	PART NO.:	
APP'D JSL	2012/06/28		OF	DRAWN NO.:	WM3019-28-02
SCALE: 1:1		VERSION: B			

