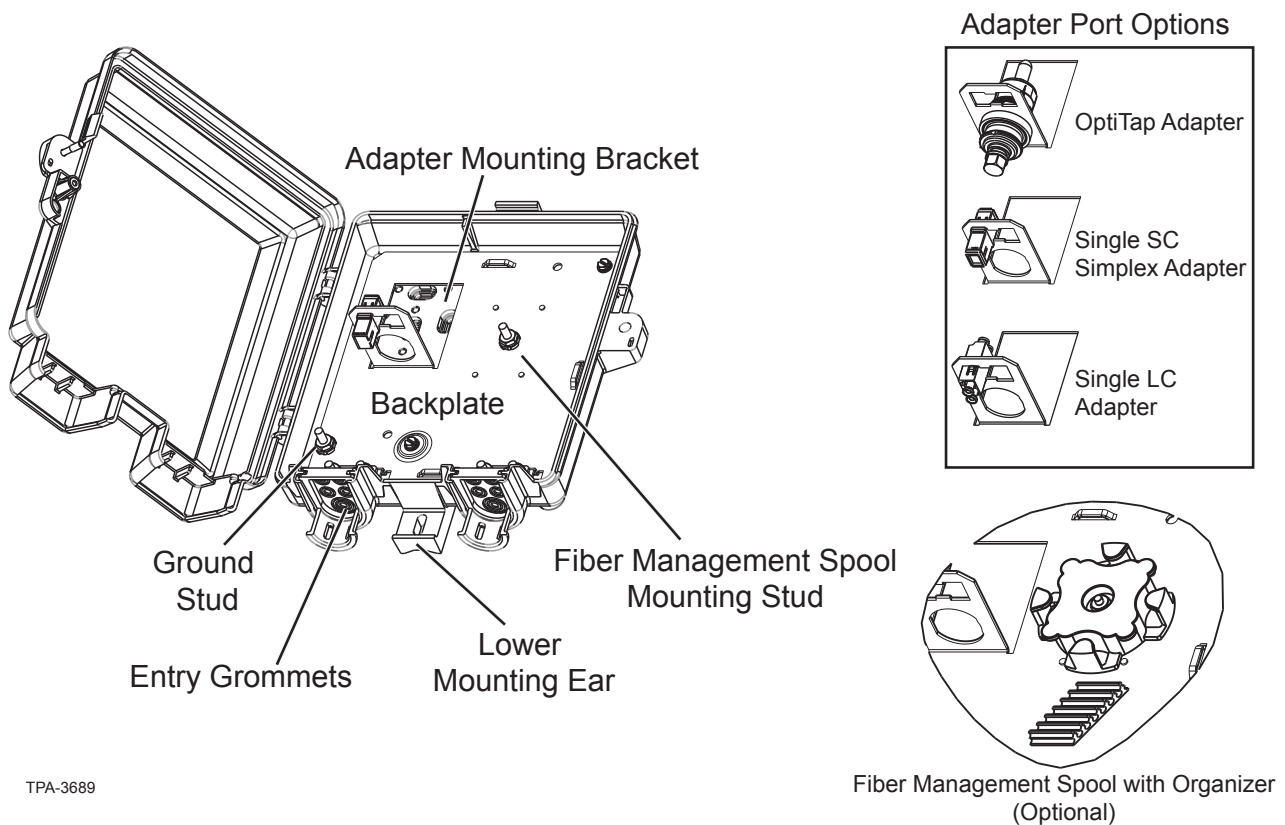


1. CARTON CONTENTS

- Housing
- Adapter(s), one of the following types (optional):
 - OptiTap®
 - Single SC simplex
 - Single LC
 - Fiber Management Spool (optional)
 - Fiber Management Spool with splice organizer (optional)



TPA-3689

Figure 1 — Carton Contents

2. TOOLS AND MATERIALS

The following may be required for installation:

- Can wrench
- Hammer
- (2) #8 Mounting screws (wall-mount only)
- (2) Flat washers for mounting screws (wall-mount only)
- Standard screwdrivers , 1/4-in x 4-in and pocket-size
- Needle-nose pliers
- (2) Large tie bands or cable ties (conduit-mount only)

3. PRECAUTIONS

All applicable regulatory requirements supersede this document. Do not attempt an installation unless a copy of these requirements is available for reference.

3.1. Laser Handling Precautions



WARNING: Never look directly into the end of a fiber that may be carrying laser light.

Laser light can be invisible and can damage your eyes. Viewing it directly does not cause pain. The iris of the eye will not close involuntarily as when viewing a bright light. Consequently, serious damage to the retina of the eye is possible. Should accidental eye exposure to laser light be suspected, arrange for an eye examination immediately.



WARNING: DO NOT use magnifiers in the presence of laser radiation. Diffused laser light can cause eye damage if focused with optical instruments. Should accidental eye exposure to laser light be suspected, arrange for an eye examination immediately.

3.2. Safety Precautions



CAUTION: Recommend the use of safety glasses (spectacles) conforming to ANSI Z87, for eye protection from accidental injury when handling chemicals, cables, or working with fiber. Pieces of glass fiber are very sharp and have the potential to damage the eye.



CAUTION: The wearing of cut-resistant safety gloves to protect your hands from accidental injury when using sharp-bladed tools and armored cable is strongly recommended. Use extreme care when working with severed armor. There will be a sharp edge where armor is cut. To minimize the chance of injury from the cut armor, cover the exposed edge with a wrap of electrical tape. To minimize the chance of injury from sharp-bladed tools, always cut away from yourself and others. Dispose of used blades and armor scrap properly.



DANGER: Fiber Optic Cleaning Fluid can cause irritation to eyes on contact. Contains hydrofluorocarbon and alcohol blend. Inhalation of high concentrations of vapor is harmful, may cause heart irregularities, unconsciousness, or death. Use with adequate ventilation. In case of eye contact, immediately flush eyes with water for at least 15 minutes. In case of ingestion, consult a physician.

3.3. Optical Fiber Precautions



CAUTION: Cleaved or broken glass fibers are very sharp and can pierce the skin easily. Do not let these pieces of fiber stick to your clothing or drop in the work area where they can cause injury later. Use tweezers to pick up cleaved or broken pieces of glass fibers and place them on a loop of tape kept for that purpose alone. **Good housekeeping is very important.**



CAUTION: Fiber optic cable is sensitive to excessive pulling, bending, and crushing forces. Consult the cable specification sheet for the cable you are installing. Do not bend the cable more sharply than the minimum recommended bend radius. Do not apply more pulling force to the cable than specified. Do not crush the cable or allow it to kink. Doing so may cause damage that can alter the transmission characteristics of the cable; the cable may have to be replaced.

4. MOUNTING

Choose a vertical surface near approved ground but away from down spouts, permanent water sprinklers, and other water sources.

To wall-mount the unit, select #8 wood screws (and washers, if needed behind screw head), or hardware appropriate for the wall surface (Figure 2).

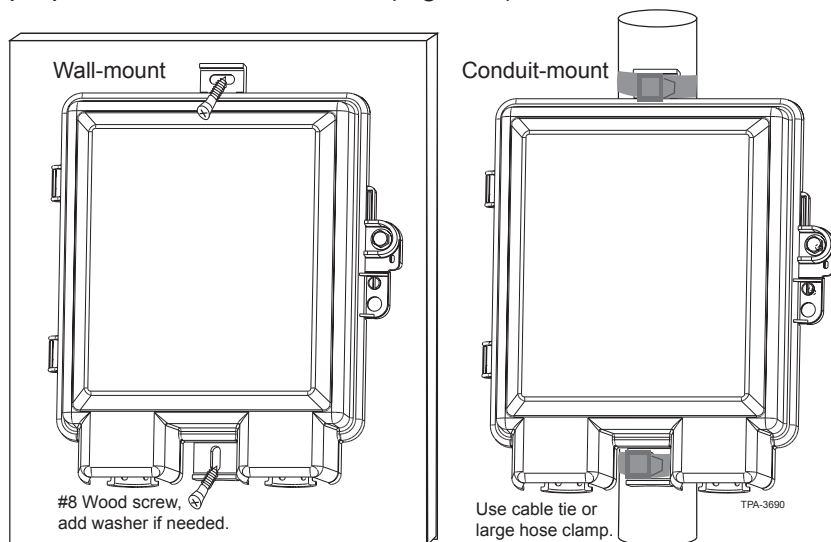


Figure 2 — Mount the Unit

5. GROUND THE UNIT

Step 1: Open cover.

Step 2: Pierce grommet and feed #6 AWG ground wire into the unit. Ground to the ground stud or optional ground lug.

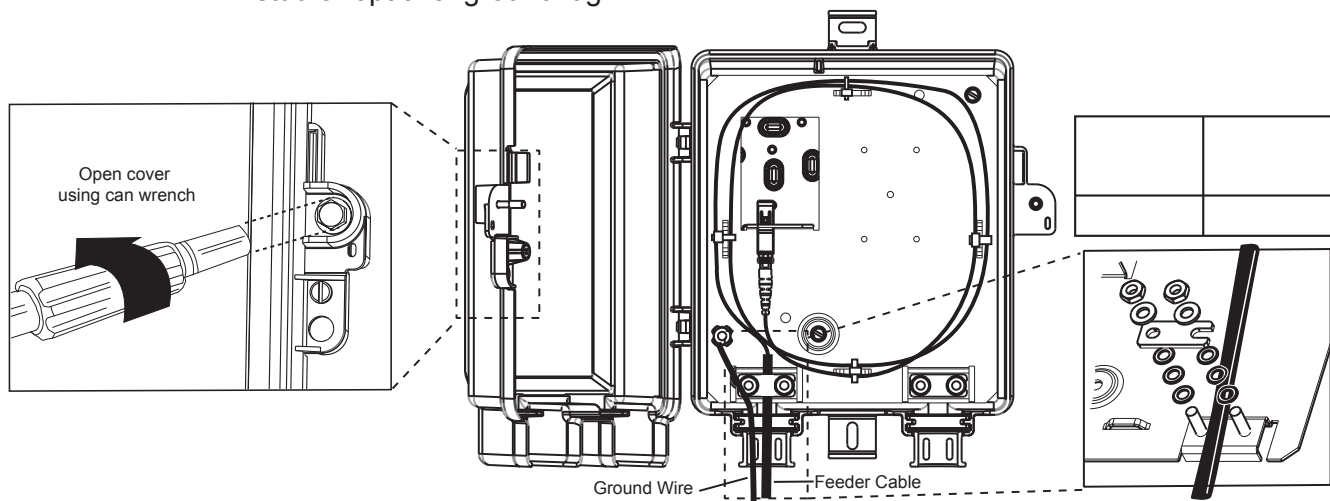


Figure 3 — Grounding and Feeder Cable Installation

6. FEEDER CABLE INSTALLATION

- Step 1:** Remove cable sheath and strength members per standard company practices.
- Step 2:** Pierce grommet and insert feeder cable into the unit. Remove strain-relief hardware using a can wrench. Strain-relieve the cable with the clamp as shown in Figure 3.
- Step 3:** Route slack around the perimeter of the unit, securing to the lances with cable ties as needed.
- Step 4:** Remove dust caps from adapter and connector. Clean per standard company practices. Mate connector into adapter as shown.

7. DROP CABLE INSTALLATION

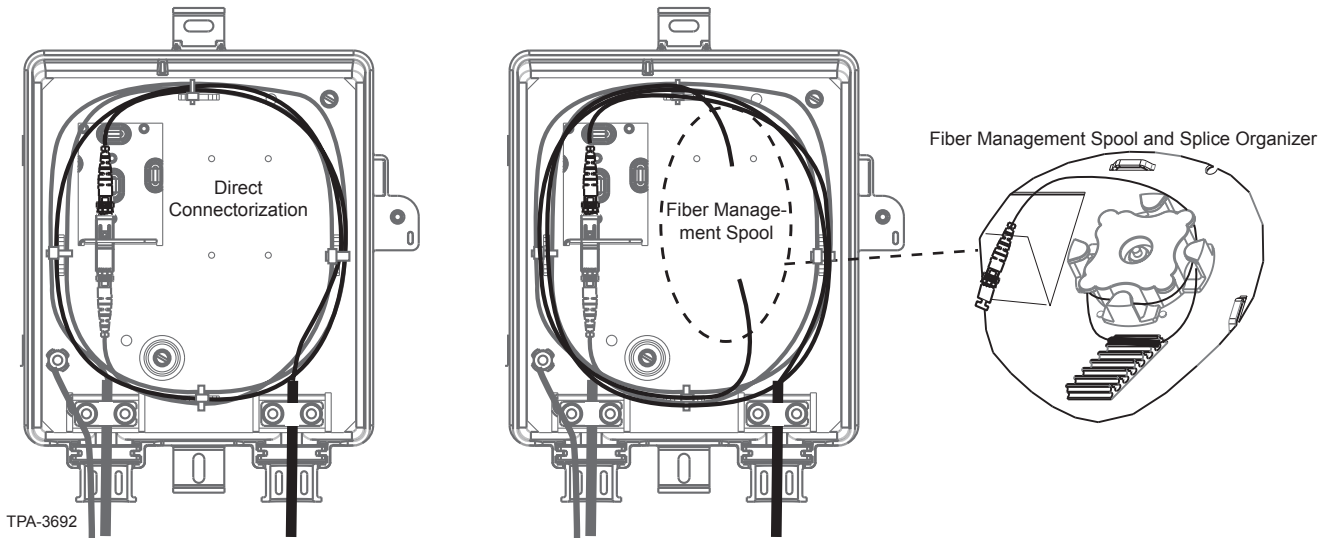


Figure 4 — Install Drop Cable

- Step 1:** Pierce grommet and insert cable into the unit. Remove strain-relief hardware with a can wrench. Strain-relieve with the clamp as shown in Figure 3.
- Step 2:** If splicing is required, splice to pigtails per the instructions provided with the splicing equipment. Store fiber in the splice organizer and fiber management spool (Figure 4).
- Step 3:** Route slack around the perimeter of the unit, securing to the lances with cable ties as needed.
- Step 4:** Remove dust caps from adapter and connector. Clean per standard company practices. Mate connector into adapter as shown.

8. SECURE THE UNIT

- Step 1:** Snap the outer cover closed. Secure with a can wrench.
- Step 2:** If desired, install a padlock or security seal through the padlock hole.