

1RU CPRI INTERFACE PANEL



Part #: CPRIIPVZW1-XX

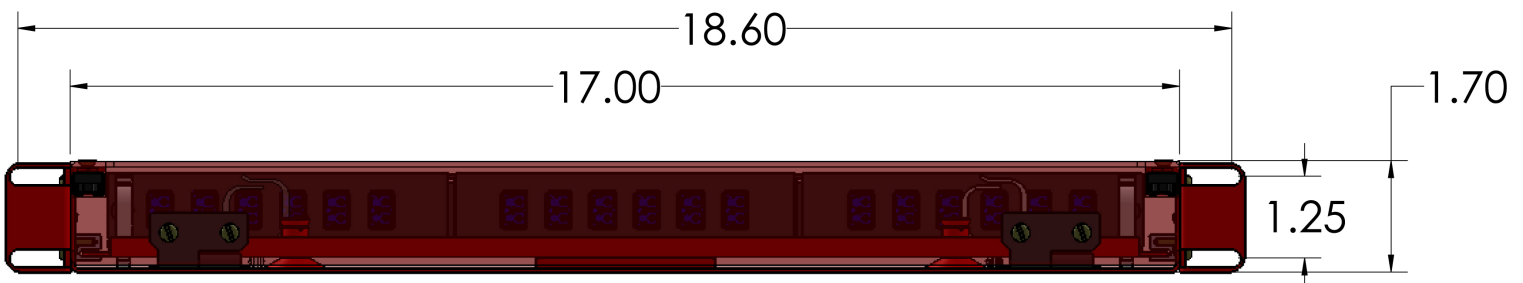
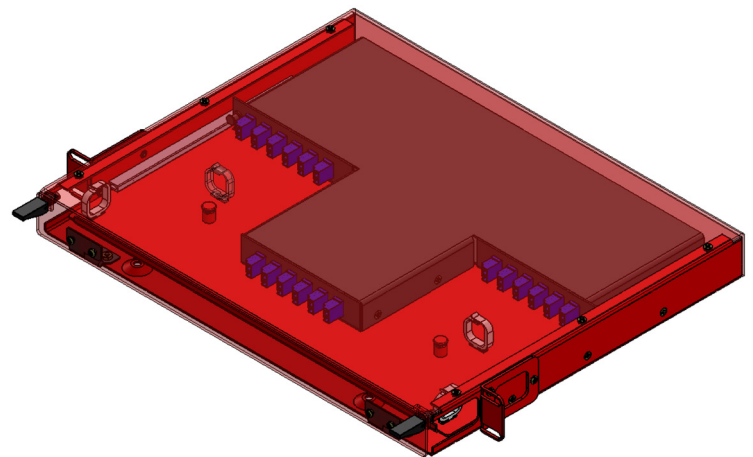
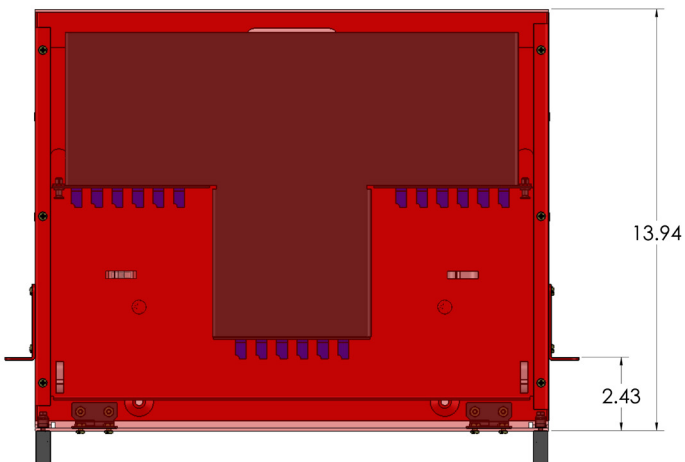
The 1RU CPRI Interface Panel Enclosure provides a non-service affecting monitor port for which a CPRI Protocol Analyzer can be used to decode the TX data stream from a CDIU, Remote Radio Head (RRH) and/or an Active Antenna's Transmit CPRI link. This panel provides test access for up to (6) active CPRI links. All FIS CPRI interface panels are manufactured with High Grade CWDM splitters to maintain the best performance across the entire spectrum of optical wavelengths.

This 1RU enclosure fits within a standard 19" rack and adapts to a larger 23" rack with included mounting hardware. The unit includes all necessary hardware and color coded single mode fiber jumpers to be installed from the BBU (Baseband Unit) into the CPRI Interface Panel. Monitor ports are located at the front, middle of the module to protect from disturbing active fiber connections on either side. These monitor ports are also pre-loaded with optical terminators to prevent high back reflections (ORL) within the CPRI link.

FEATURES

- (18) LC/UPC, SM, Duplex Adapters, Color Coded
- (6) Non-Service Affecting Monitor Ports for Active CPRI Links
- Front Access to Monitor Ports and Active CPRI Links
- 19" or 23" Open Frame Racks
- Manufactured in the USA

TECH DRAWING



1RU CPRI INTERFACE PANEL ENCLOSURE



SPECIFICATIONS

Dimensions	17"W x 13.9" D x 1.75" H
Weights	8 Lbs
Materials	Base & Module .064" Aluminum Cover & Door .090" Aluminum
Coatings	Electro Statically Applied Powder Coat 1RU Enclosure: Red Powder Coat Module: Black Powder Coat
Connector Style	LC/UPC Duplex LC Bulkheads; Qty 18; Color Coded (Blue, Violet, Green, Brown, Yellow, White)
Module Couplers	1x2; 50:50 Split ; 9/125um; Qty 12, CWDM Compatible
Operating and Storage Temperature	-40 ~ +85 Celsius
Operating and Storage Humidity	5 ~ 95 %RH
Power Requirements	Passive Module, No Power Required

ORDERING INFORMATION

CPRIIPVZW1	1RU CPRI Interface Panel with 1M Fiber Kit
CPRIIPVZW1-02	1RU CPRI Interface Panel with 2M Fiber Kit
CPRIIPVZW1-03	1RU CPRI Interface Panel with 3M Fiber Kit
CPRIIPVZW1-05	1RU CPRI Interface Panel with 5M Fiber Kit
CPRIIPVZW1-07	1RU CPRI Interface Panel with 7M Fiber Kit
CPRIIPVZW1-10	1RU CPRI Interface Panel with 10M Fiber Kit
CPRIIPVZW1-15	1RU CPRI Interface Panel with 15M Fiber Kit