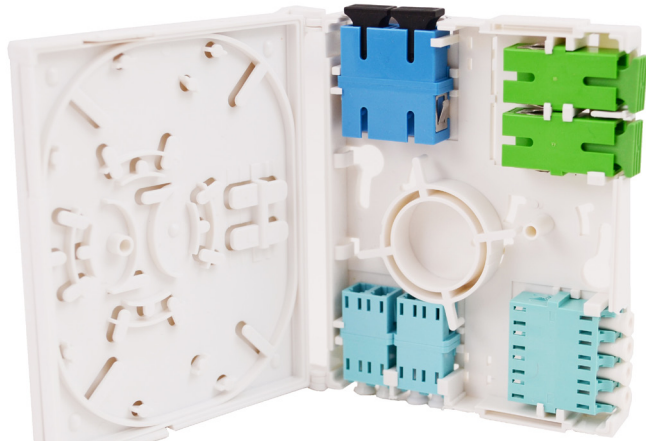


FIS COMPACT WALL BOX



Part #: F1-CWB02
Adapters Sold Separately

FEATURES

- Accommodates Up to (4) Ports
- Holds (2) 40mm Splice Protection Sleeves
- Splice Tray and Fiber Management Spool Included
- Various Mounting Positions for Adapters
- Installation Hardware Included
- Plastic, White

Utilize this compact wall mount box for fusion splice sleeve storage or direct connector termination. Simply place two small cable ties through the back of the box, slide the cable (max 5mm OD) into the box and secure. Next use the small cable management spool to store some slack prior to splicing or termination. There are two knock-out slots on each side of the box for (2) SC simplex or LC duplex adapters. There are also two knock-out slots on each side of the box for (1) SC duplex or LC quad adapter. Adapters without flanges are required. Built in splice sleeve holders accommodate up to two 40mm heat shrink splice sleeves.

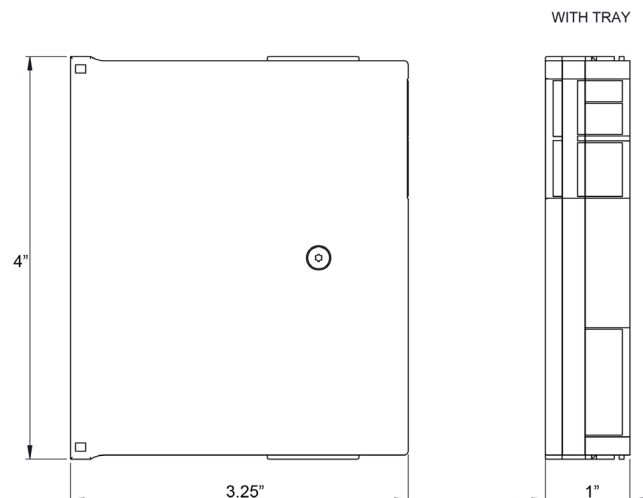
SPECIFICATIONS

| | |
|-----------------------------|--|
| Dimensions | 3.9"H x 3.26"W x .81"D |
| Recommended Capacity | (2) SC Simplex or LC Duplex Adapters (No Flange) (1) SC Duplex or LC Quad Adapter (No Flange) |
| Compatible Cable | 5mm Outer Diameter (Maximum) |
| Material | Plastic |
| Color | White |
| Weight | 0.14 lbs |

ORDERING INFORMATION

| | |
|----------------|--|
| F1CWB02 | FIS Compact Wall Box w/ Fiber Management Ring & Splice Tray, White |
|----------------|--|

TECH DRAWING



ACCESSORIES (PURCHASED SEPARATELY)

SC SIMPLEX ADAPTERS

| | |
|-------------------|--|
| F1-3800CNF | FIS SC Simplex MM Adapter Zirconia No Flange Beige |
| F1-8350NF | FIS SC Simplex MM 50um OM3 Adapter PB No Flange Aqua |
| F1-3810NF | FIS SC Simplex SM Adapter Zirconia No Flange Blue |
| F1-4800NFT | FIS SC/APC Simplex Adapter Zirconia No Flange Green |

LC DUPLEX ADAPTERS

| | |
|------------------|--|
| F1-8050NF | FIS LC Duplex MM OM3 Adapter PB Sleeve No Flange Aqua |
| F1-8018NF | FIS LC Duplex SM Adapter Zirconia Sleeve No Flange Blue |
| F1-8015NF | FIS LC Duplex SM Adapter Zirconia Sleeve No Flange Green |

SC DUPLEX ADAPTERS

| | |
|------------------|--|
| F1-8600NF | FIS SC Duplex MM Adapter Phos Bronze Sleeve No Flange Beige |
| F1-8650NF | FIS SC Duplex MM Adapter Zirconia Sleeve No Flange Aqua |
| F1-8601NF | FIS SC Duplex SM Adapter Zirconia Sleeve No Flange Blue |
| F1-8701NF | FIS SC/APC Duplex SM Adapter Zirconia Sleeve No Flange Green |

LC QUAD ADAPTERS

| | |
|-----------------|--|
| F18041NF | FIS LC Quad MM Adapter Phos Bronze Sleeve No Flange Aqua |
| F18045NF | FIS LC Quad SM Adapter Zirconia Sleeve No Flange Blue |
| F18046NF | FIS LC/APC Quad SM Adapter Zirconia Sleeve No Flange Green |

SPLICE SLEEVES

| | |
|---------------------|--|
| F1100240C-50 | FIS Fusion Protection Sleeve, 40mm Length, Shrinks to 3mm OD, Clear, 50 Pack |
|---------------------|--|