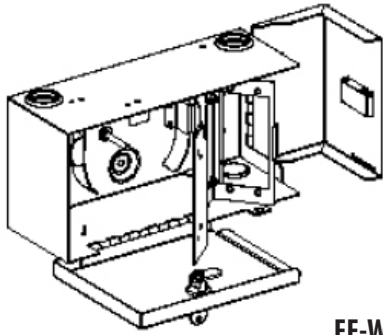


FIS 12 PORT WALL MOUNT ENCLOSURE



FF-WM012



FEATURES

- Double Door Entry with Lock
- Top and Bottom Entry Hole
- Dust Proof Grommets
- Splicing and Patching Capability
- Holds 2 Adapter Plates (not included)
- Rugged 16 Gauge Steel, Available Black or Beige
- Holds 2 Splice Tray (not included)

SPECIFICATIONS

Dimension	12.29"L x 6.46"H x 5.06"W
Capacity	2 Adapter Plates, 2 Splice Tray (F1-SPL12 or 1120-SSTA)
Material	16 Gauge Steel
Coating	Electrostatically Applied Polyester Powder Coat

ORDERING INFORMATION

FF-WM012	Two Panel Fiber Distribution Unit, Wall Mount, Off-White
FF-WM012-BLK	Two Panel Fiber Distribution Unit, Wall Mount, Black

RECOMMENDED SPLICE TRAYS

F1-SPL12	Metal Splice Tray, 12 Position Fusion Splice Chip, 6.5"L x 4.7"W x .42"H
1120-SSTA	Metal Splice Tray, 12 Position, Multiple Splice Chips, 6.5"L 4.75"W x .05"H

FIS 12 PORT WALL MOUNT ENCLOSURE

TECH DRAWING

