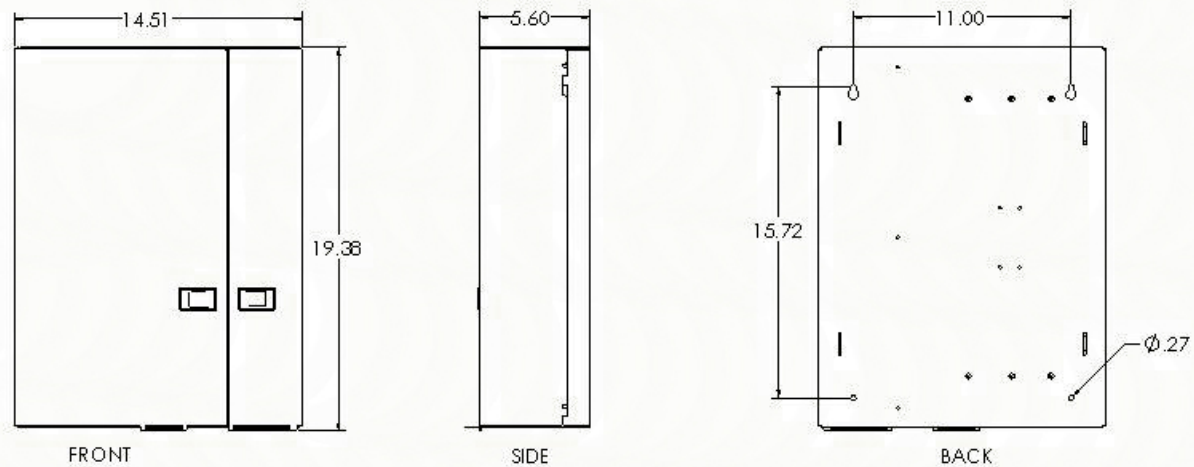


FEATURES

- Splicing and Patching Capability
- Dual Hinged Doors with Snap Latch-Security
- Removable Doors
- Cable Management Rings Included
- Multiple Cable Routing Options Possible
- Raised Splice Tray Stand holds 2 Trays (splice trays not Included)
- Pad Lock Eyelettes for Both Doors
- Top and Bottom Cable Entry Ports
- Can be ordered with terminated Cables, Adapters, Pigtails or Cassettes
- Rugged 14 Gauge Aluminum, Available in Black or Off-White (BW)
- Holds 12 LGX Style Adapter Plates (not included)

TECH DRAWING



SPECIFICATIONS

Dimension	14.51 W x 19.38" H x 5.60" D
Capacity	12 Panel: Up to 96 Single Fiber Connections or 192 Duplex (LC)
Material	.060" Aluminum
Coating	Electro Statically Applied Powder Coat; Available in Black or Off-White

ORDERING INFORMATION

F1-DW12X	12-Panel w/Black Powder Coat
F1-DW12XBW	12-Panel w/Off-White Powder Coat

RECOMMENDED SPLICE TRAYS

F1-SPL12	Metal Splice Tray, 12 Position Fusion Splice Chip, 6.5"L x 4.7"W x .42"H
F1-SPL24	Metal Splice Tray, 24 Position Fusion Splice Chip, 11.72"L x 3.99"W x .42"H
F1-6808	Plastic Splice Tray, 12 Position Fusion Splice Chip, 7.1"L x 4.25"W x .48"H