

HIGH DENSITY MINI CPRI INTERFACE MODULE



Part #: CPRI12RRHMPO

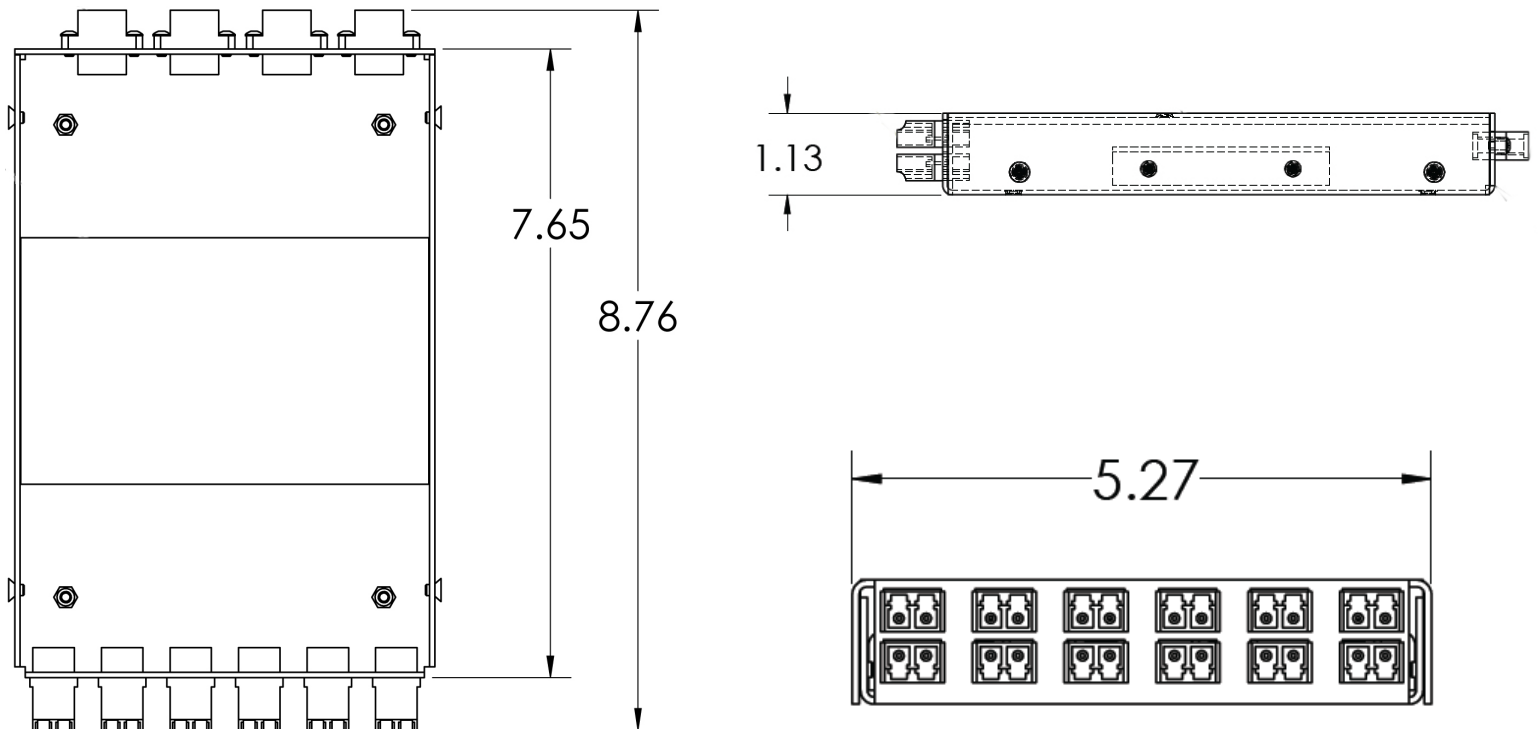
FEATURES

- (12) Non-Service Affecting CPRI Link Monitor Ports
- (4) MPO Mating Sleeves for Active Connections
- Optical Terminators Pre-Installed in Monitor Ports
- Same Dimensions and Footprint as Current FIS Port Mini CPRI Module
- High Grade CWDM Ready Fiber Optic Splitters
- Manufactured in the USA

The High Density Mini CPRI Module offers an easily accessible, non-service affecting monitor port for up to (12) active CPRI links. This module uses the same footprint as a standard Mini CPRI Module, allowing the customer to re-use existing FIS CPRI chassis enclosures. Network connections on the HD Mini CPRI module are completed using MPO to LC preterminated cable assemblies and mating sleeves.

Twelve CPRI link UL/DL monitor ports are located in the front of the module and use LC duplex mating sleeves. These ports are pre-loaded with optical terminators to reduce high optical return loss that negatively affects transceivers and test equipment. Four MPO connections are located on the back of the module to complete the connection between active equipment. Color coded mating sleeves and corresponding pin out decals indicate where to connect cables and identify their corresponding test ports. All FIS Mini CPRI modules are manufactured in the USA with Broadband CWDM ready splitters to maintain the best performance across the entire spectrum of optical wavelengths.

TECH DRAWING



SPECIFICATIONS

Dimensions	8.93" L x 5.27" W x 1.13" H
Weight	1.6 lbs
Material	.064" Aluminum
Coating	Electro Statically Applied Powder Coat
Connector Style	Monitor Ports: Duplex LC/UPC Bulkheads; Qty 12; Color Coded (Blue, Violet, Green, Brown, Yellow, White) Network Ports: 12 Fiber MPO Bulkhead; Qty 4; Male Pins
Module Couplers	1x2; 50:50 Split; Singlemode; QTY 24 Tx Directional: 3.8dB Typical Loss, Broadband CWDM ready
Operating and Storage Temperature	-40 ~ +85 Celsius
Operating and Storage Humidity	5 ~ 95 %RH
Power Requirements	Passive Module, No Power Required

ORDERING INFORMATION

CPRI12RRHMPO	High Density MPO CPRI Interface Module, Supports (12) Links, 4 MPO Adapters
1RUCMVZW	1RU Modular CPRI IP Chassis, Unloaded, Up to (3) Modules
CPRI4RU19VZW	4RU High Density CPRI IP Chassis, 19", Unloaded, Up to (12) Modules
CPRI4RU23VZW	4RU High Density CPRI IP Chassis, 23", Unloaded, Up to (16) Modules
MD3MFCS2RI12	12 Fiber, Singlemode, MPO Female to LC/UPC Patch Cable, 2 Meter Length