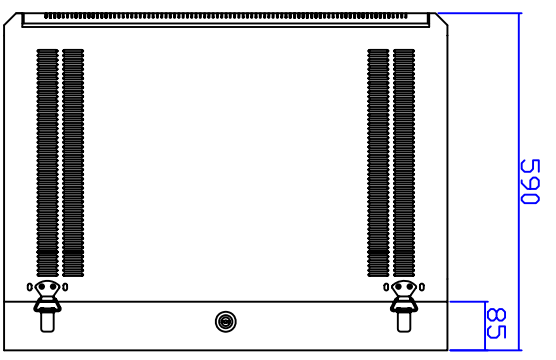
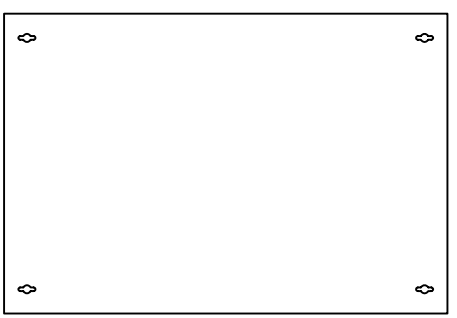


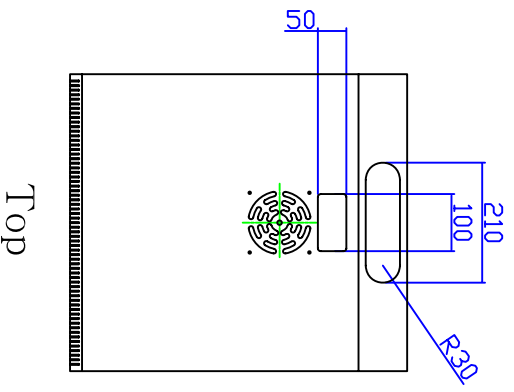
Front



Side



Back



Top

Quest Manufacturing Corp.

ITEM NO.		WMM3019-16-02			
Drawn By	Date	Material	c.R.S.		
Checked By	Date	Unit	mm		
Approved By	Date	Surface Finish	Power Coat	Scale	1:1