

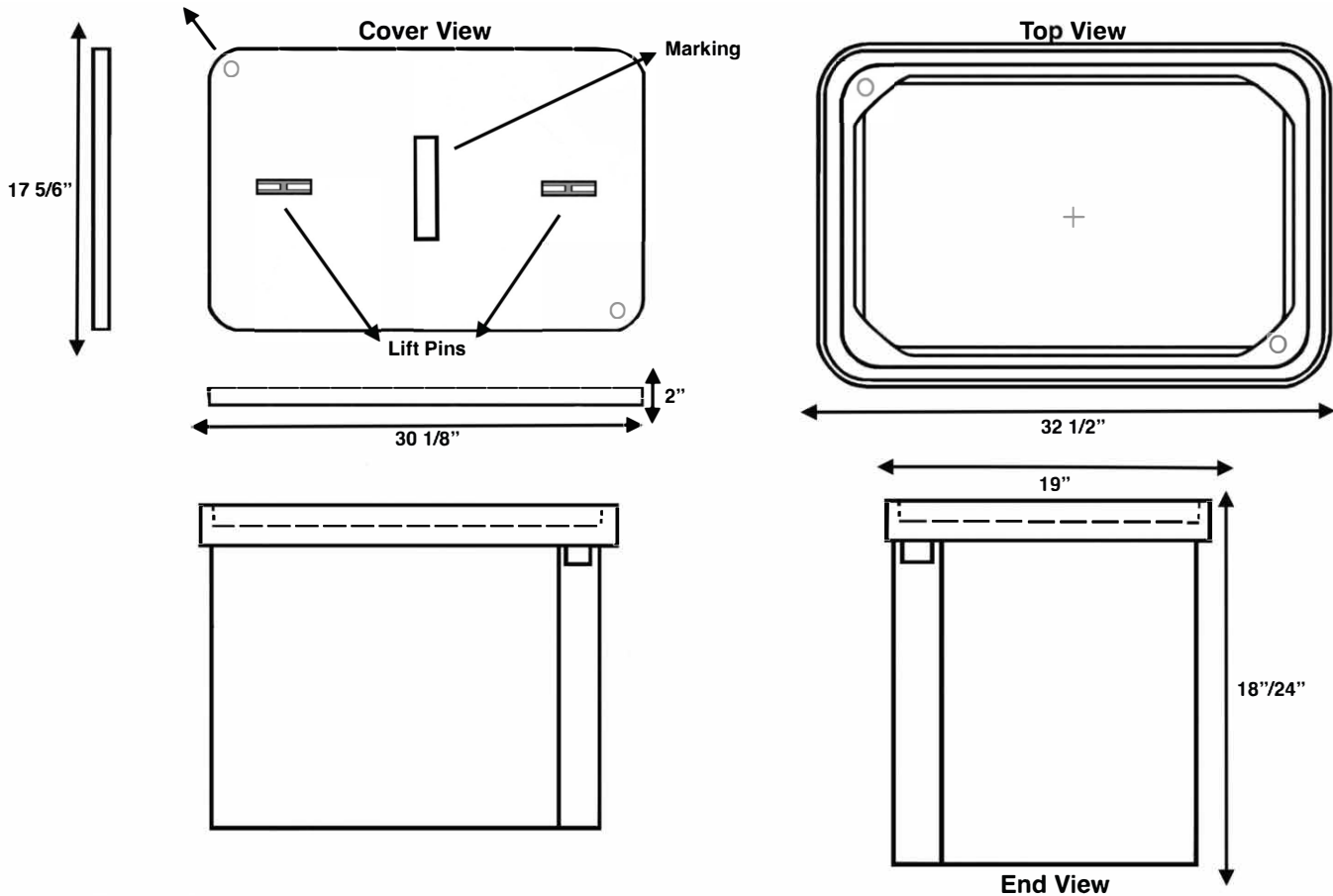
FIS POLYMER CONCRETE HANDHOLE/VAULT WITH COVER, 17"X30"X24", TIER 22



FEATURES

- Dimensions: 17"x30"x24"
- Body & Cover Material: Polymer Concrete
- Weight: 180 lbs
- Tolerance: +/- 1/8"
- Tier 22

TECH DRAWING



ORDERING INFORMATION

Z1-APC173024PCT22

Polymer Concrete Handhole with Tier 22 Lid

Dimensions: 17"x30"x24"