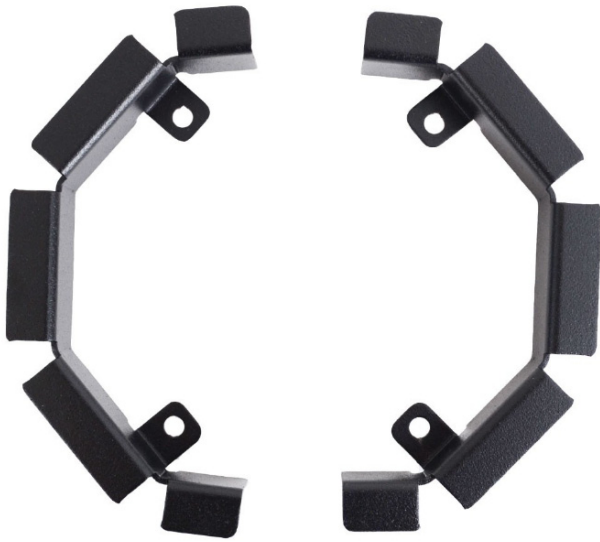


FIS METAL CABLE MANAGEMENT BRACKETS

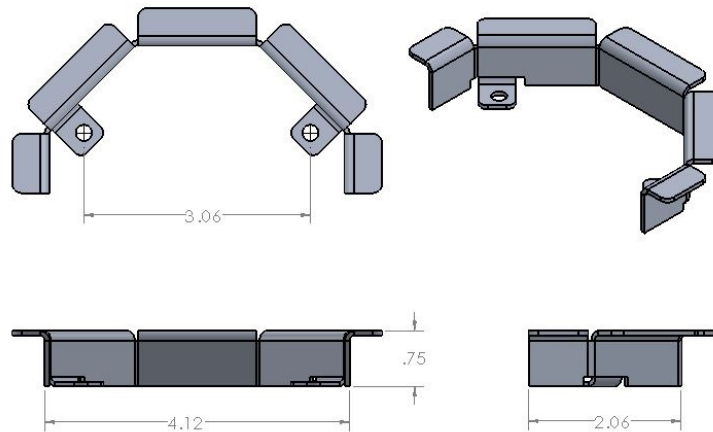


FEATURES

- (2) Cable Management Brackets
- 2" Bend Radius
- Metal, Black

These Cable Management Spools come in a pair of two brackets, and are compatible with FIS Rack Mount Enclosures (Slide-Out versions). They are ideal for storing spare cable and managing incoming or outgoing fibers. They feature a 2" bend radius for routing most fiber types within enclosures. Mounting hardware included.

TECH DRAWING



SPECIFICATIONS

Dimensions (base)	4.12" L x 2.06" W x 0.75" H
Material	14 Gauge Aluminum
Color	Powder Coat Black
Includes	(2) Brackets, (4) #6-32 1/4" L Screws, (4) #6-32 5/16" H Locknuts

ORDERING INFORMATION

F1MCMB	FIS Metal Cable Management Brackets (Pair)
Related Items	
F1RM1RU3X	1RU Rack Mount Enclosure, (3) LGX Plates, Solid Door, Black
F1RM2RU4X	2RU Rack Mount Enclosure, (4) LGX Plates, Solid Door, Black
F1RM2RU6X	2RU Rack Mount Enclosure, (6) LGX Plates, Solid Door, Black
F1RM2RU12X	4RU Rack Mount Enclosure, (12) LGX Plates, Solid Door, Black